

2.13"

SR9911

Smart Electronic Shelf Label



Reliable System
High scalability &
Stable performance



Revolutionary Price Management
Batch proceed &
Accurate update



Aesthetic Design
Ultra-slim &
Elegant simplicity



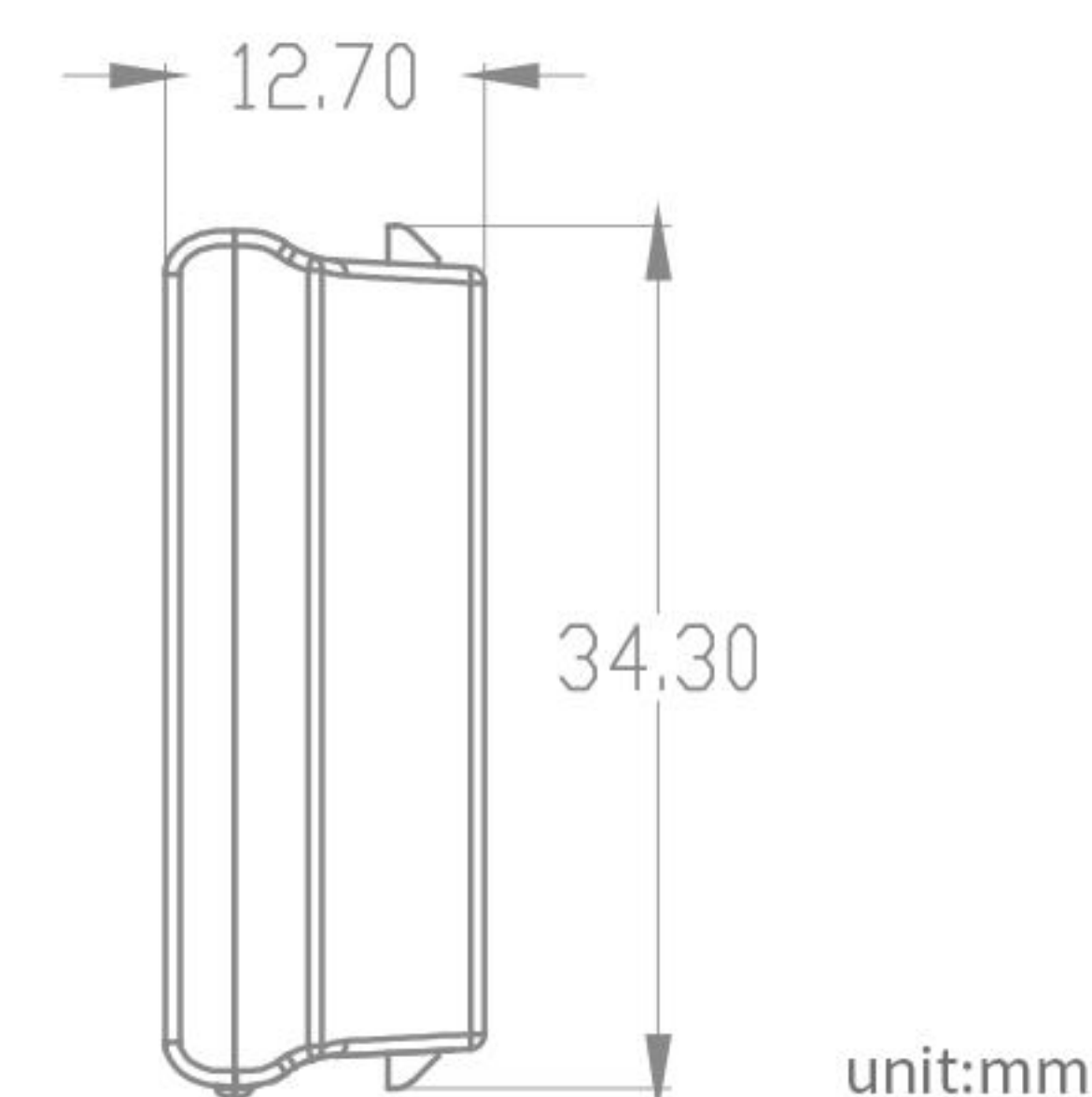
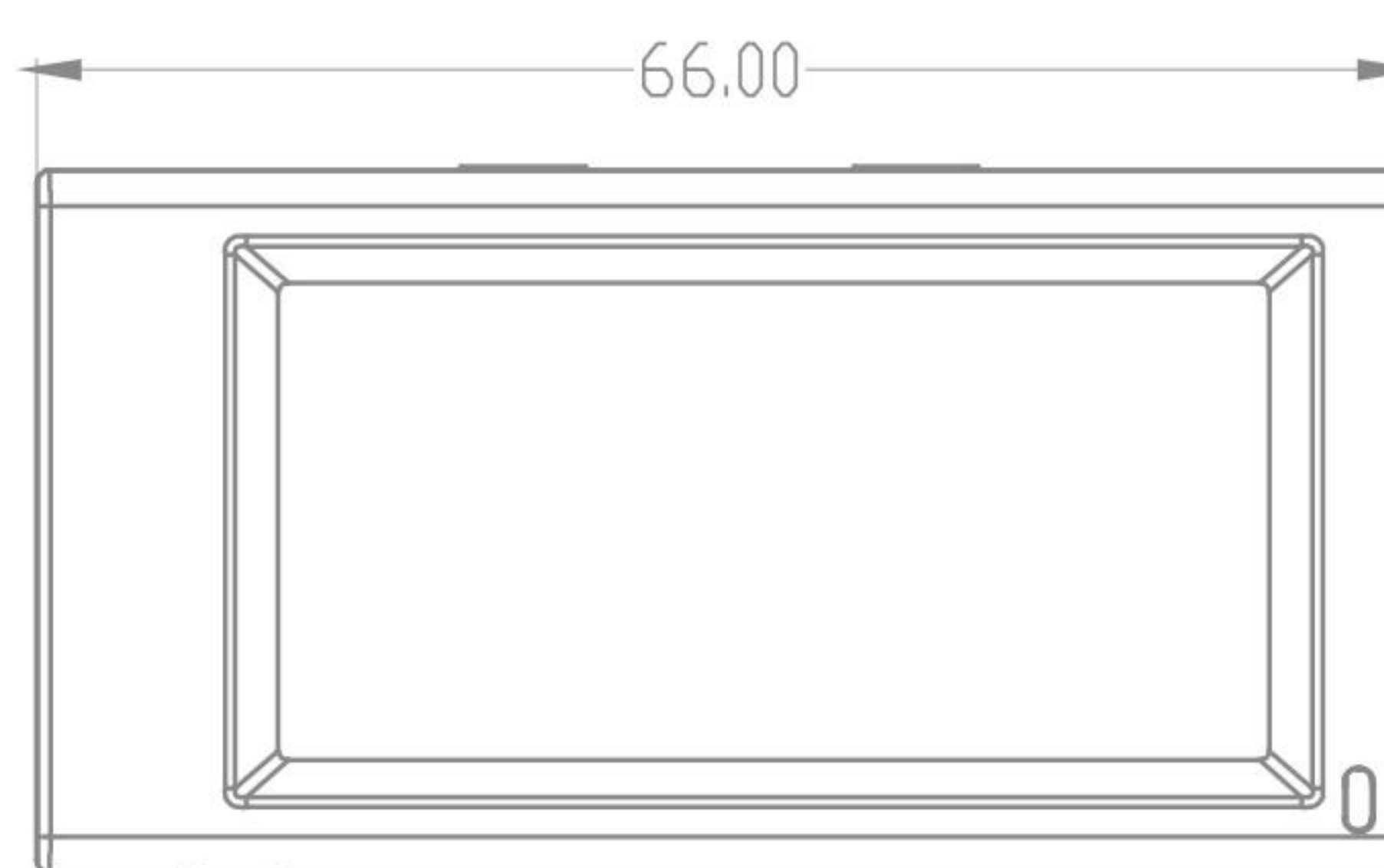
Wide-range of Applications
Sales booster &
Promotion helper



Long Life Use
Highly durable &
Ultra-low power consumption



Hardware Integration
More compatible &
One-stop manage



Specification	Screen color	Black/white/red (yellow) pixel colors Black/white (Low Temp Ver.)
	Frame color	White (Customizable)
	Dimension	66x34x12.6mm
	Display size	48.55x23.71mm
	Weight	36g
	Visual angle	Nearly 180°
	Resolution	250x122px
	DPI	110
Technical Parameters	Frequency	SUB-1G
	Display	Dot-Matrix EPD
	Picture save	Page Turning Supportable
	LED indicator	Red (Customizable)
	NFC tech	Customizable
	Certification	CE、TELEC、FCC-ID、IEC、RoHS
Battery Characteristics	Model	CR2450x2
	Capacity	600mAh
	Service life	5 years (4 times update per day)
	Battery replacement	Yes
Working Environment	Temperature	-25°C-35°C
	Humidity	40-60%RH



HANGZHOU ONTIME I.T. CO., LTD

+86 571 8775 5530/ 8885 3783

iknowsales@manytag.cn

www.iknowmuch.com

6th Floor, 27th Bldg, No. 808 Wen Er Xi Rd, Xihu District, Hangzhou 310012, China

